



PPC INSULATORS  
ELECTRIFYING THE WORLD

# PPC Transmission and Distribution Insulators

---

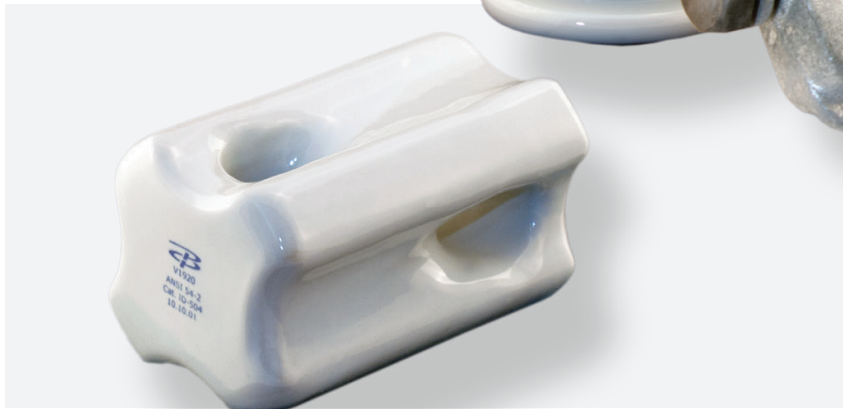
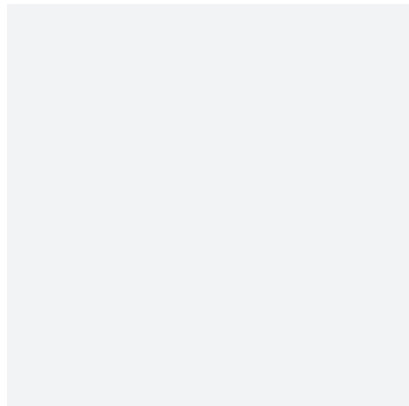
ANSI

# Quality Transmission and Distribution Insulators

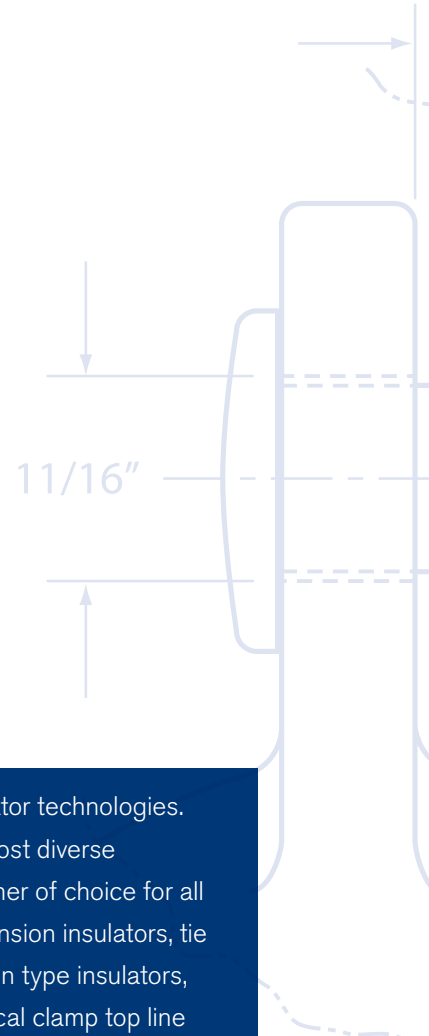
## Designed to last!

PPC Insulators is a leading provider of high-quality, reliable porcelain products for over 130 years. Our quality process control provides superior products for long lasting performance.

PPC Insulators is a global leader in porcelain insulator technologies. We offer a wide range of products suited for the most diverse customer and their needs. PPC Insulators is a partner of choice for all transmission and distribution insulators from suspension insulators, tie top line post insulators, pin type and high voltage pin type insulators, spool and guy strain insulators, horizontal and vertical clamp top line post insulators and polymer dead end insulators. Our global team is ready to support you locally, providing you with the products that will fit your needs.

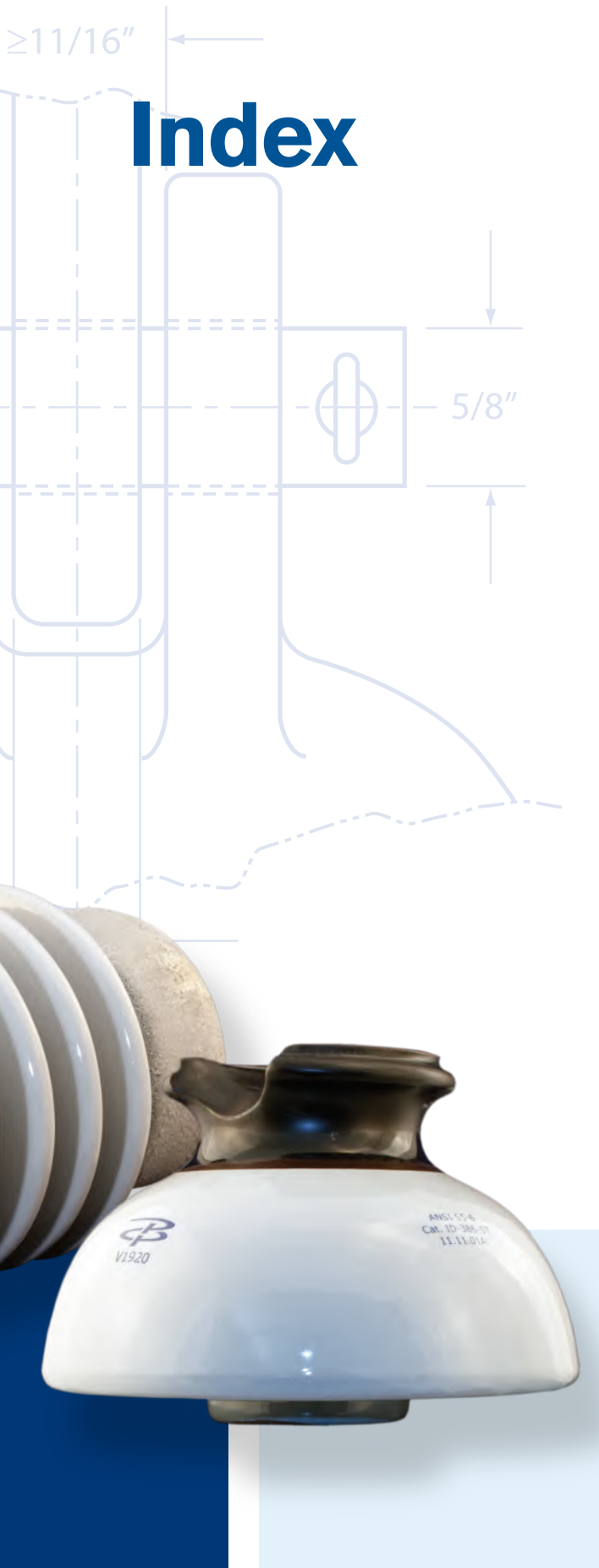


11/16"



# Index

| Page | Title  |
|------|--|
| 2    | <b>INTRODUCTION</b>                              |
| 3    | <b>INDEX</b>                                     |
| 4    | <b>PRODUCTS</b>                                  |
| 4    | <b>Suspension Insulators</b>                     |
| 4    | <b>Pin Type Insulators</b>                       |
| 4    | <b>Spool And Guy Strain Insulators</b>           |
| 5    | <b>Horizontal Clamp Top Line Post Insulators</b> |
| 5    | <b>Vertical Clamp Top Line Post Insulators</b>   |
| 5    | <b>Tie Top Line Post Insulators</b>              |
| 6    | <b>FEATURES</b>                                  |
| 6    | <b>Hardware</b>                                  |
| 6    | <b>Hardware Coating</b>                          |
| 6    | <b>Cementing</b>                                 |
| 7    | <b>Bonded Sand Bands</b>                         |
| 7    | <b>Glaze</b>                                     |
| 8    | <b>Porcelain Body</b>                            |
| 8    | <b>Forged Steel Eye &amp; Ball Bolts</b>         |
| 9    | <b>Protected Leakage Configuration</b>           |
| 9    | <b>Interference Free</b>                         |
| 9    | <b>Reduced Incidence of Puncture</b>             |
| 10   | <b>TECHNICAL DATA</b>                            |
| 10   | <b>Suspension Insulators</b>                     |
| 12   | <b>Pin Type Insulators</b>                       |
| 14   | <b>High Voltage Pin Type Insulators</b>          |
| 15   | <b>Guy Strain Insulators</b>                     |
| 16   | <b>Spool Insulators</b>                          |
| 18   | <b>Tie Top Line Post Insulators</b>              |
| 20   | <b>Horizontal Clamp Top Insulators</b>           |
| 21   | <b>Vertical Clamp Top Insulators</b>             |
| 22   | <b>Polymer Dead End Insulators</b>               |



# T&D Insulators

## Assortment of quality.

### Suspension Insulators

PPC Insulators standard suspension insulators with high mechanical and electrical strength are designed to meet the most modern demands.

PPC Insulators makes one of the widest ranges of ANSI approved Ball-socket and Clevis type suspension insulators for overhead distribution and transmission systems.



Each insulator goes through a rigorous testing and conformance process with ANSI standards requirements.

Our suspension insulators catalog numbers are 81022, 81012, 86012, 84300 in accordance with ANSI class C29.2.

### Pin Type Insulators

Our pin type insulators are designed for superior performance, avoiding lightning strike punctures. With neck types C, F, K, and J. PPC Pin Type insulators are the right choice for any application. The PPC Pin Type insulators have a large cable groove, allowing different cable sizes to fit perfectly. The neck design allows easy installation of cable ties.



### Spool and Guy Strains



PPC Insulators makes spool and guy strain insulators out of the highest grade electrical porcelain with a wide range of electrical and mechanical characteristics.

Strength ratings are made in accordance with ANSI Standard C29.4 for ultimate strength.

## Horizontal Clamp Top Line Post Insulators

PPC Insulators offers horizontal clamp top line post assemblies for ratings 15kV through 45 kV. PPC horizontal mounting line post assemblies are primarily recommended for down leads, jumper loop control and similar applications. A galvanized metal cap is cemented to the outside of the line post head, supporting the trunnion type clamp.



## Vertical Clamp Top Line Post Insulators

PPC Insulators offers vertical clamp top line post assemblies ranging from 15 kV through 45 kV.

PPC vertical clamp top line post insulators are mounted upright on crossarms and structures. Rated at 2800 lbs. cantilever strength these insulators offer excellent strength and electrical characteristics.

## Tie Top Line Post Insulators

PPC Tie Top Insulators are engineered to offer a high dielectric strength for nominal voltages from 15 kV to 45 kV.

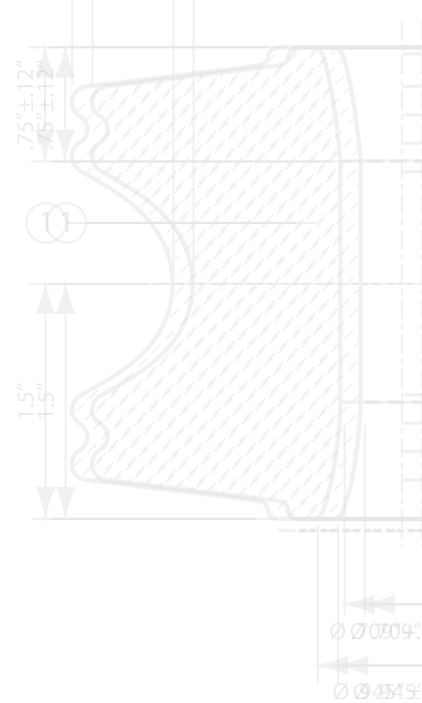
Our Tie Top insulators have a large cable groove, allowing different cable sizes to fit perfectly. The neck design allows easy installation of cable ties.



# T&D Insulators

## Features

### Character of strength.



## Hardware

Suspension insulators are available for ball & socket or clevis-eye coupling. Standard caps are constructed of hot-dip galvanized malleable iron. Cotter keys for locking ball & socket and clevis pin connections are stainless steel.



## Hardware Coating

Prior to cementing, all hardware surfaces in contact with cement are coated with a bituminous (asphalt) compound. The compound protects the hardware from chemical attack by the cement and allows thermal movement between parts to relieve mechanical stress created by thermal expansion or cement growth.

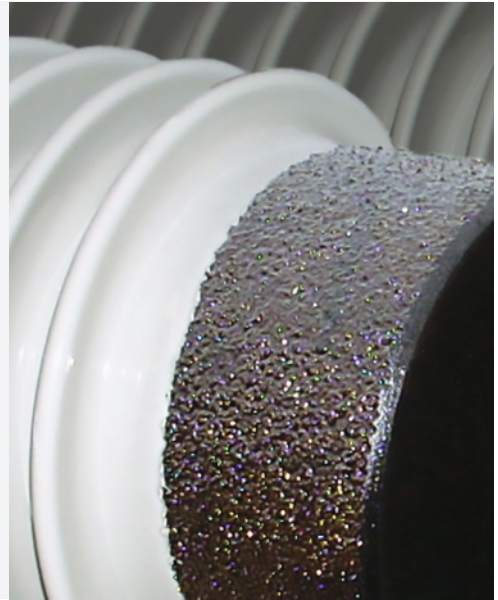
## Cementing

Caps, ball bolts and eye bolts are cemented on to the porcelain, loading the porcelain across a large area, for a low-intensity compressive grip. PPC Insulators utilizes a special Portland cement, particularly suited for use on porcelain insulator assemblies.



## Bonded Sand Bands

Sand bands bonded to the porcelain by glazing provide a rough surface for permanently attaching hardware and distributing loads evenly through the porcelain. The high strength compression sand is manufactured by PPC Insulators to match the characteristics of the porcelain body.



## Glaze

- Gray glaze: ANSI – 70, Munsell 5BG 7.0/0.4 is supplied as standard on all PPC suspension insulators unless otherwise specified.
- Brown glaze is also available upon request; simply add the letter “B” at the end of the catalog number.



# T&D Insulators

## Features

### Character of strength.

#### Porcelain Body

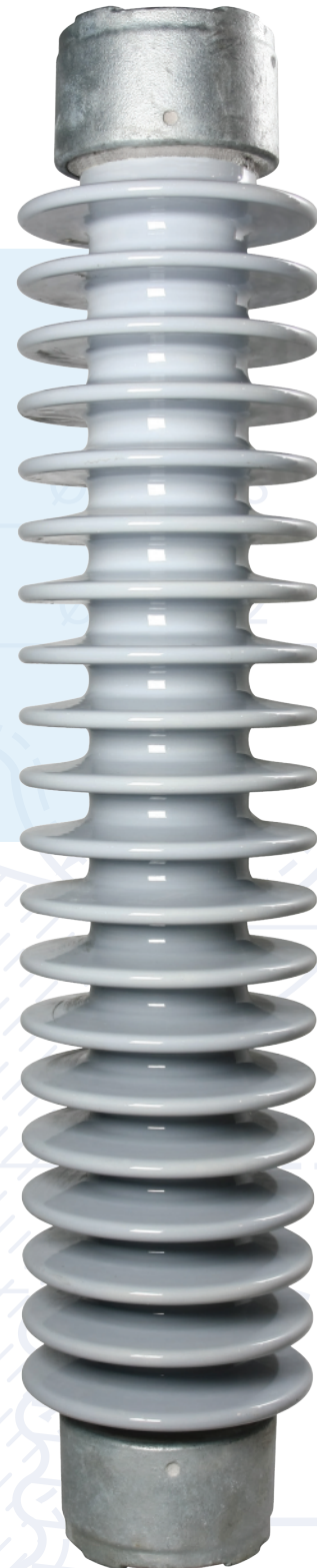
PPC transmission and distribution insulators are constructed of high quality electrical grade porcelain.

Each porcelain body receives a series of electrical tests prior to assembly. 100% of all bodies are subjected to high frequency puncture tests to ensure quality and performance prior to assembly. This same test, in addition to other prescribed ANSI tests, is performed again after assembly to ensure the integrity of the final product.

#### Forged Steel Eye & Ball Bolts

PPC Insulators utilizes hot dip galvanized forged steel for the ball and eye bolts. Standard production of suspension insulators incorporates a pregnant bolt design for both ball & socket and clevis type units.

The extra mass of the pregnant bolt design plus the compound coating provides corrosion protection at the cement line caused by ozone, electrolytic action and other factors. A zinc sleeve may also be supplied on a straight bolt, for corrosion protection, when specified.







## Protected Leakage Configuration

The umbrella type porcelain shell protects the leakage corrugations on the underside of the insulator from contamination and mechanical damage. The shed design has been optimized to provide the greatest exposed and protected leakage distance relative to insulator size.

## Interference Free

PPC Insulators suspension insulators are radio & television interference free by design and have been completely tested, both individually and as assemblies. Our hardware is smooth contoured with well-rounded edges to reduce RIV build-up and does not require corona rings.



## Reduced Incidence of Puncture

Through extensive testing and robust design, PPC Insulators products are highly resistant to lightning puncture.

# Suspension Insulators

| Catalog Number   | 81022        | 81012        |
|--|--------------|--------------|
| ANSI Technical Reference Number                        | 52-3         | 52-4         |
| <b>Dimensions (inches)</b>                             |              |              |
| Leakage Distance                                       | 11.5"        | 11.5"        |
| H - Height   | 5.75"        | 5.75"        |
| D - Diameter   | 10.125"      | 10.125"      |
| Y - Diameter of Clevis Ring                            |              | 0.6875"      |
| <b>Mechanical Values</b>                               |              |              |
| ANSI M & E Category                                    | 15000 lbs.   | 15000 lbs.   |
| Combined M & E Strength                                | 20000 lbs.   | 20000 lbs.   |
| Mechanical Impact Strength                             | 55 inch lbs. | 55 inch lbs. |
| Routine Proof Test                                     | 10000 lbs.   | 10000 lbs.   |
| Time Load Test   | 13200 lbs.   | 13200 lbs.   |
| <b>Electrical Values</b>                               |              |              |
| Low Frequency Flashover Dry                            | 80 kV        | 80 kV        |
| Low Frequency Flashover Wet                            | 50 kV        | 50 kV        |
| Impulse Flashover Positive                             | 125 kV       | 125 kV       |
| Impulse Flashover Negative                             | 130 kV       | 130 kV       |
| Low Frequency Puncture Voltage                         | 110 kV       | 110 kV       |
| <b>Radio Influence Low Frequency Test Voltage Data</b> |              |              |
| Test Voltage, Rms to Ground, kV                        | 10 kV        | 10 kV        |
| Maximum RIV, Microvolts at 1000 kHz                    | 50           | 50           |
| <b>Weight &amp; Packaging</b>                          |              |              |
| Weight Per Unit  | 11 lbs.      | 11 lbs.      |
| Weight Per Package                                     | 88 lbs.      | 88 lbs.      |
| Package Quantity                                       | 6            | 6            |

Standard Glaze: ANSI-70, Munsell 5 BG 7.0/0.4  
Special Glaze Requirement Upon Request

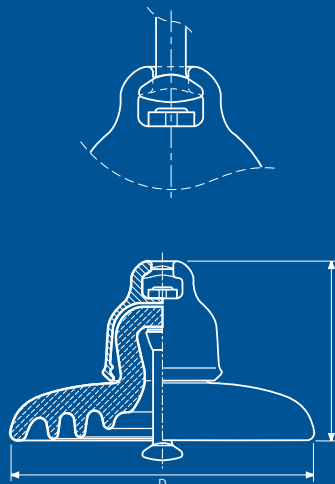
## Ball-Socket 81022



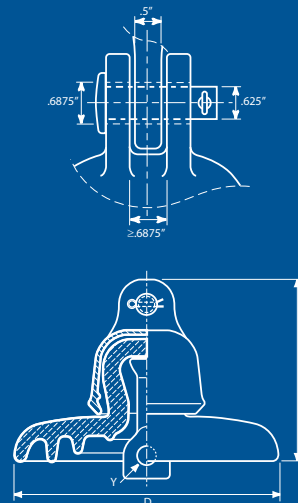
## Clevis Type 81012



### Ball-Socket 81022



### Clevis Type 81012



| Catalog Number   | 86012        | 84300        |
|--|--------------|--------------|
| ANSI Technical Reference                               | 52-1         | 52-9-A       |
| <b>Dimensions</b>                                      |              |              |
| Leakage Distance                                       | 7"           | 6.75"        |
| H - Height   | 5.5"         | 6.25"        |
| D - Diameter   | 6.5"         | 4.5"         |
| Y - Diameter of Clevis Ring                            | 0.875"       | 0.875"       |
| <b>Mechanical Values</b>                               |              |              |
| ANSI M & E Category                                    | 10000 lbs.   | 10000 lbs.   |
| Combined M & E Strength                                | 10000 lbs.   | 10000 lbs.   |
| Mechanical Impact Strength                             | 45 inch lbs. | 45 inch lbs. |
| Routine Proof Test                                     | 5000 lbs.    | 5000 lbs.    |
| Time Load Test   | 6000 lbs.    | 6000 lbs.    |
| <b>Electrical Values</b>                               |              |              |
| Low Frequency Flashover Dry                            | 60 kV        | 60 kV        |
| Low Frequency Flashover Wet                            | 30 kV        | 30 kV        |
| Impulse Flashover Positive                             | 100 kV       | 100 kV       |
| Impulse Flashover Negative                             | 100 kV       | 90 kV        |
| Low Frequency Puncture Voltage                         | 80 kV        | 80 kV        |
| <b>Radio Influence Low Frequency Test Voltage Data</b> |              |              |
| Test Voltage, Rms to Ground, kV                        | 7.5 kV       | 7.5 kV       |
| Maximum RIV, Microvolts at 1000 kHz                    | 50           | 50           |
| <b>Weight &amp; Packaging</b>                          |              |              |
| Weight Per Unit  | 4.9 lbs.     | 4.9 lbs.     |
| Weight Per Package                                     | 71 lbs.      | 49 lbs.      |
| Package Quantity                                       | 12           | 8            |

Standard Glaze: ANSI-70, Munsell 5 BG 7.0/0.4  
 Special Glaze Requirement Upon Request

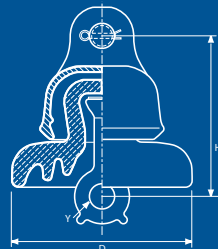
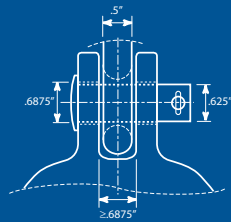
Clevis Type 86012



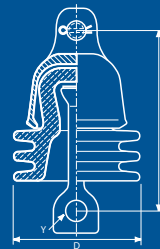
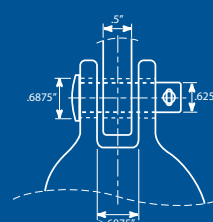
Clevis Type 84300



Clevis Type 86012



Clevis Type 84300



# Pin Type Insulators

| Catalog Number   | 253-S     | 261-S     | 263-S     | 366-S     |
|--|-----------|-----------|-----------|-----------|
| ANSI Technical Reference Number                        | 55-2      | 55-3      |           | 55-4      |
| Neck Type  | C         | C         | C         | F         |
| <b>Dimensions (inches)</b>                             |           |           |           |           |
| Leakage Distance                                       | 5"        | 7"        | 7"        | 9"        |
| Dry Arcing Distance                                    | 3.375"    | 4.5"      | 4.5"      | 5"        |
| H - Height   | 3.25"     | 3.75"     | 3.9375"   | 4.375"    |
| D - Diameter   | 3.75"     | 4.75"     | 4.88"     | 5.5"      |
| N - Neck Diameter ( $\pm 1/8"$ )                       | 2.25"     | 2.25"     | 2.25"     | 2.875"    |
| S - Saddle Groove Radius                               | 0.625"    | 0.5625"   | 1"        | 1"        |
| W - Wire Grooves Radius                                | 0.625"    | 0.5625"   | 0.629"    | 0.5625"   |
| T - Top Diameter Maximum                               | 3.5"      | 3.375"    | 3.267"    | 4"        |
| P - Pin Height Minimum                                 | 4"        | 5"        | 5"        | 5"        |
| E - Pin Diameter                                       | 1"        | 1"        | 1"        | 1"        |
| <b>Mechanical Values</b>                               |           |           |           |           |
| Cantilever Strength                                    | 2500 lbs. | 2500 lbs. | 2500 lbs. | 3000 lbs. |
| <b>Electrical Values</b>                               |           |           |           |           |
| Low Frequency Flashover Dry                            | 45 kV     | 55 kV     | 55 kV     | 65 kV     |
| Low Frequency Flashover Wet                            | 25 kV     | 30 kV     | 30 kV     | 35 kV     |
| Impulse Flashover Positive                             | 70 kV     | 90 kV     | 90 kV     | 105 kV    |
| Impulse Flashover Negative                             | 85 kV     | 110 kV    | 110 kV    | 130 kV    |
| Low Frequency Puncture Voltage                         | 70 kV     | 90 kV     | 90 kV     | 95 kV     |
| <b>Radio Influence Low Frequency Test Voltage Data</b> |           |           |           |           |
| Test Voltage, Rms to Ground, kV                        | 5 kV      | 10 kV     | 10 kV     | 10 kV     |
| Maximum RIV, Microvolts at 1000 kHz                    | 50        | 50        | 50        | 50        |
| <b>Weight &amp; Packaging</b>                          |           |           |           |           |
| Weight Per Unit  | 1.7 lbs.  | 2.5 lbs.  | 2.6 lbs.  | 4 lbs.    |
| Weight Per Package                                     | 43 lbs.   | 32 lbs.   | 33 lbs.   | 50 lbs.   |
| Package Quantity                                       | 24        | 12        | 12        | 12        |

Standard Glaze: ANSI-70, Munsell 5 BG 7.0/0.4

Above Insulators furnished Standard with Semi-Conductive Glaze (Type S) to eliminate noise.

Plain Glaze available on Special Order.

Type-S Insulator Characteristics shown above.

### 253-S



### 261-S



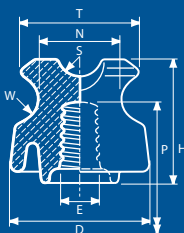
### 263-S



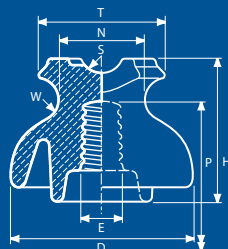
### 366-S



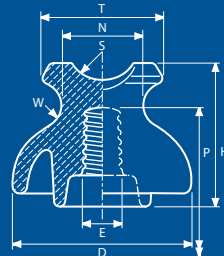
### 253-S



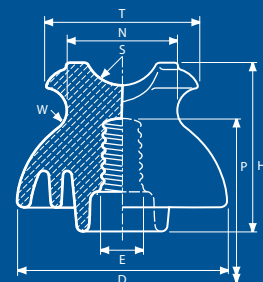
### 261-S



### 263-S

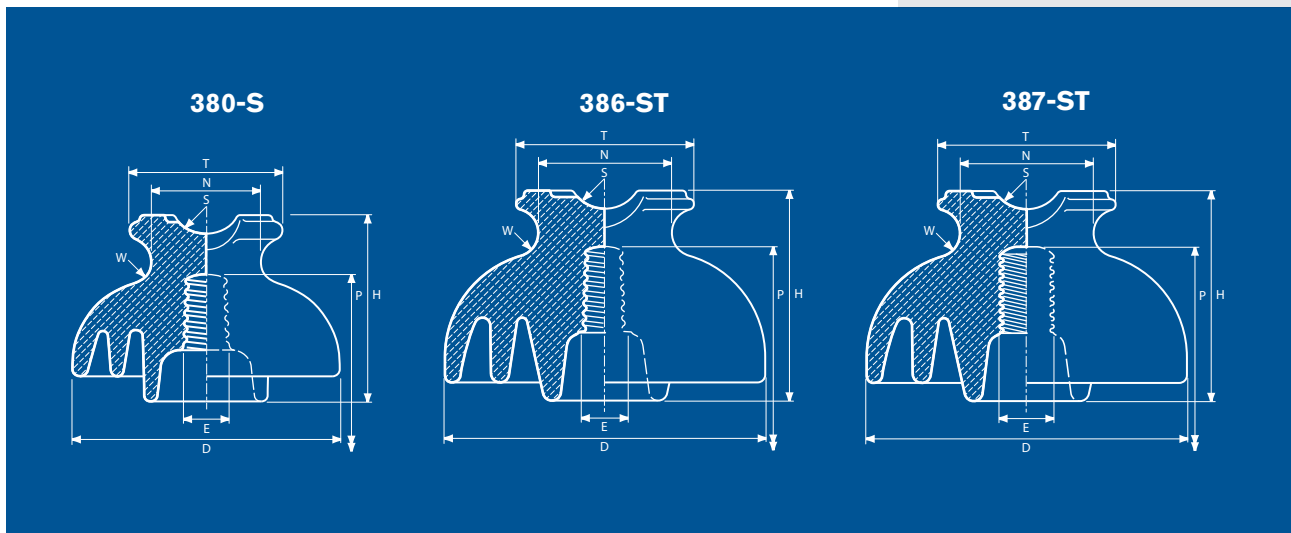


### 366-S



| Catalog Number   | 380-S     | 386-ST    | 387-ST    |
|--|-----------|-----------|-----------|
| ANSI Technical Reference Number                        | 55-5      | 55-6      | 55-7      |
| Neck Type  | F         | J         | J         |
| <b>Dimensions (inches)</b>                             |           |           |           |
| Leakage Distance                                       | 12"       | 15"       | 15"       |
| Dry Arcing Distance                                    | 6.25"     | 8"        | 8"        |
| H - Height   | 4.875"    | 5.5"      | 5.5"      |
| D - Diameter   | 7"        | 8.375"    | 8.375"    |
| N - Neck Diameter ( $\pm 1/8"$ )                       | 2.875"    | 3.5"      | 3.5"      |
| S - Saddle Groove Radius                               | 1"        | 1"        | 1"        |
| W - Wire Grooves Radius                                | 0.5625"   | 0.625"    | 0.625"    |
| T - Top Diameter Maximum                               | 4"        | 4.75"     | 4.75"     |
| P - Pin Height Minimum                                 | 6"        | 7.5"      | 7.5"      |
| E - Pin Diameter                                       | 1"        | 1"        | 1.375"    |
| <b>Mechanical Values</b>                               |           |           |           |
| Cantilever Strength                                    | 3000 lbs. | 3000 lbs. | 3000 lbs. |
| <b>Electrical Values</b>                               |           |           |           |
| Low Frequency Flashover Dry                            | 80 kV     | 100 kV    | 100 kV    |
| Low Frequency Flashover Wet                            | 45 kV     | 50 kV     | 50 kV     |
| Impulse Flashover Positive                             | 130 kV    | 150 kV    | 150 kV    |
| Impulse Flashover Negative                             | 150 kV    | 170 kV    | 170 kV    |
| Low Frequency Puncture Voltage                         | 115 kV    | 135 kV    | 135 kV    |
| <b>Radio Influence Low Frequency Test Voltage Data</b> |           |           |           |
| Test Voltage, Rms to Ground, kV                        | 15 kV     | 22 kV     | 22 kV     |
| Maximum RIV, Microvolts at 1000 kHz                    | 100       | 100       | 100       |
| <b>Weight &amp; Packaging</b>                          |           |           |           |
| Weight Per Unit  | 6.6 lbs.  | 11 lbs.   | 11 lbs.   |
| Weight Per Package                                     | 41.8 lbs. | 46.2 lbs. | 46.2 lbs. |
| Package Quantity                                       | 6         | 4         | 4         |

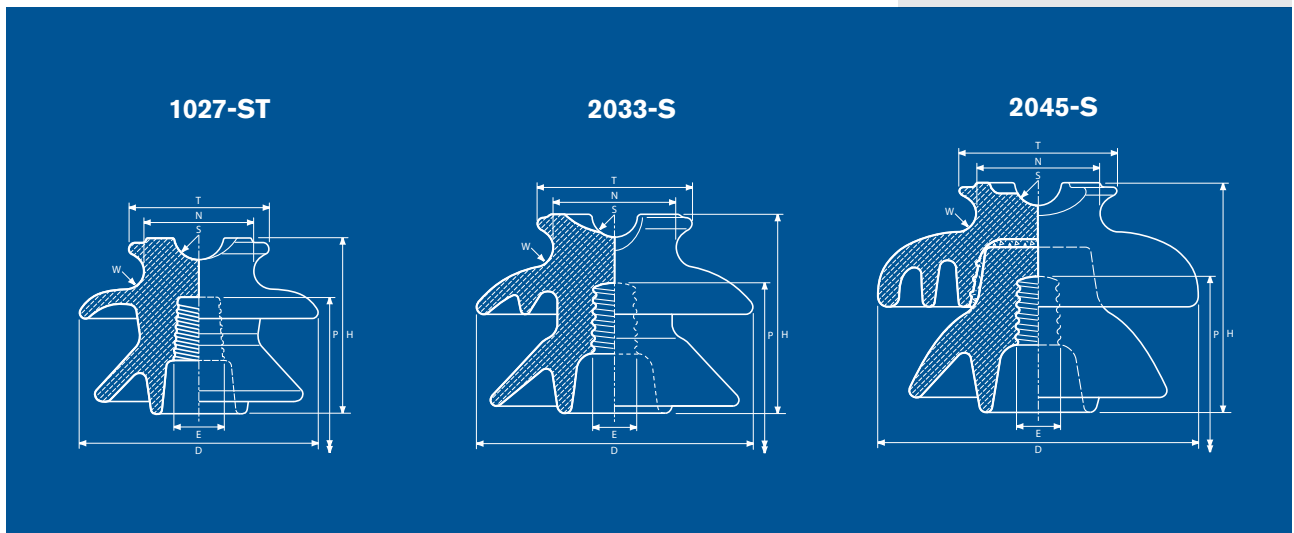
Standard Glaze: ANSI-70, Munsell 5 BG 7.0/0.4  
 Above Insulators furnished Standard with Semi-Conductive Glaze (Type S) to eliminate noise.  
 Plain Glaze available on Special Order.  
 Type-S Insulator Characteristics shown above.



# High Voltage Pin Type Insulators

| Catalog Number   | 1027-ST   | 2033-S    | 2045-S    |
|--|-----------|-----------|-----------|
| ANSI Technical Reference Number                        | 56-1      | 56-2      | 56-3      |
| Neck Type  | J         | K         | K         |
| <b>Dimensions (inches)</b>                             |           |           |           |
| Leakage Distance                                       | 13"       | 17"       | 21"       |
| Dry Arcing Distance                                    | 7"        | 8.25"     | 9.5"      |
| H - Height   | 5.75"     | 6.5"      | 7.5"      |
| D - Diameter   | 7.5"      | 9"        | 10.5"     |
| N - Neck Diameter ( $\pm 1/8"$ )                       | 3.5"      | 4"        | 4"        |
| S - Saddle Groove Radius                               | 0.75"     | 0.75"     | 0.75"     |
| W - Wire Grooves Radius                                | 0.5625"   | 0.5625"   | 0.5625"   |
| T - Top Diameter Maximum                               | 4.625"    | 5.125"    | 5.25"     |
| P - Pin Height Minimum                                 | 6"        | 7"        | 8"        |
| E - Pin Diameter                                       | 1.375"    | 1.375"    | 1.375"    |
| <b>Mechanical Values</b>                               |           |           |           |
| Cantilever Strength                                    | 2500 lbs. | 3000 lbs. | 3000 lbs. |
| <b>Electrical Values</b>                               |           |           |           |
| Low Frequency Flashover Dry                            | 95 kV     | 110 kV    | 125 kV    |
| Low Frequency Flashover Wet                            | 60 kV     | 70 kV     | 80 kV     |
| Impulse Flashover Positive                             | 150 kV    | 175 kV    | 200 kV    |
| Impulse Flashover Negative                             | 190 kV    | 225 kV    | 265 kV    |
| Low Frequency Puncture Voltage                         | 130 kV    | 145 kV    | 165 kV    |
| <b>Radio Influence Low Frequency Test Voltage Data</b> |           |           |           |
| Test Voltage, Rms to Ground, kV                        | 15 kV     | 22 kV     | 30 kV     |
| Maximum RIV, Microvolts at 1000 kHz                    | 100       | 100       | 200       |
| <b>Weight &amp; Packaging</b>                          |           |           |           |
| Weight Per Unit  | 7.3 lbs.  | 12.1 lbs. | 16.5 lbs. |
| Weight Per Package                                     | 46.2 lbs. | 50 lbs.   | 35.2 lbs. |
| Package Quantity                                       | 6         | 4         | 2         |

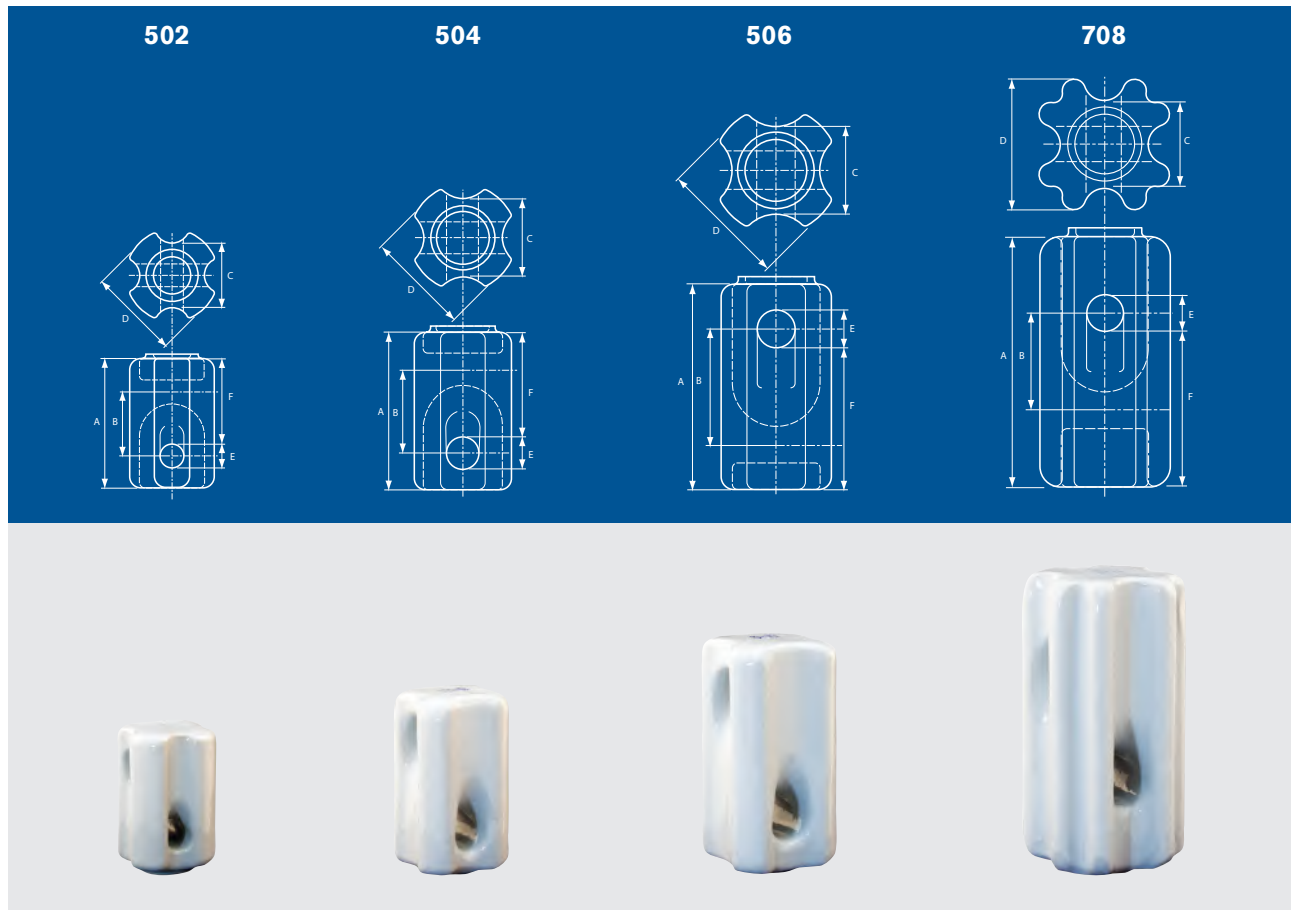
Standard Glaze: ANSI-70, Munsell 5 BG 7.0/0.4  
 Above Insulators furnished Standard with Semi-Conductive Glaze (Type S) to eliminate noise.  
 Plain Glaze available on Special Order.  
 Type-S Insulator Characteristics shown above.



# Guy Strain Insulators

| PPC Insulators Catalog Number           | 502        | 504        | 506        | 708        |
|---|------------|------------|------------|------------|
| ANSI Technical Reference Number         | 54-1       | 54-2       | 54-3       | 54-4       |
| <b>Dimensions (inches)</b>              |            |            |            |            |
| Leakage Distance                        | 1.625"     | 1.875"     | 2.25"      | 3"         |
| Maximum Cable Diameter                  | 0.375"     | 0.5"       | 0.625"     | 0.625"     |
| H - Height                              | 3.5"       | 4.25"      | 5.5"       | 6.75"      |
| B - Hole Centers Spacing ( $\pm 1/8"$ ) | 1.75"      | 2.25"      | 3.125"     | 2.625"     |
| C - Inner Diameter ( $\pm 1/16"$ )      | 1.75"      | 2.125"     | 2.375"     | 2.375"     |
| D - Outer Diameter                      | 2.5"       | 2.875"     | 3.375"     | 3.5"       |
| E - Cable Hole Diameter ( $\pm 1/16"$ ) | 0.625"     | 0.875"     | 1"         | 1"         |
| F - Height To Hole                      | 2.5"       | 3"         | 4.0625"    | 4.5"       |
| <b>Mechanical Values</b>                |            |            |            |            |
| Tensile Strength                        | 10000 lbs. | 12000 lbs. | 20000 lbs. | 20000 lbs. |
| <b>Electrical Values</b>                |            |            |            |            |
| Low Frequency Flashover Dry             | 25 kV      | 30 kV      | 35 kV      | 40 kV      |
| Low Frequency Flashover Wet             | 12 kV      | 15 kV      | 18 kV      | 23 kV      |
| <b>Weight &amp; Packaging</b>           |            |            |            |            |
| Weight Per Carton                       | 50 lbs.    | 45 lbs.    | 48 lbs.    | 50 lbs.    |
| Carton Quantity                         | 48         | 25         | 16         | 12         |

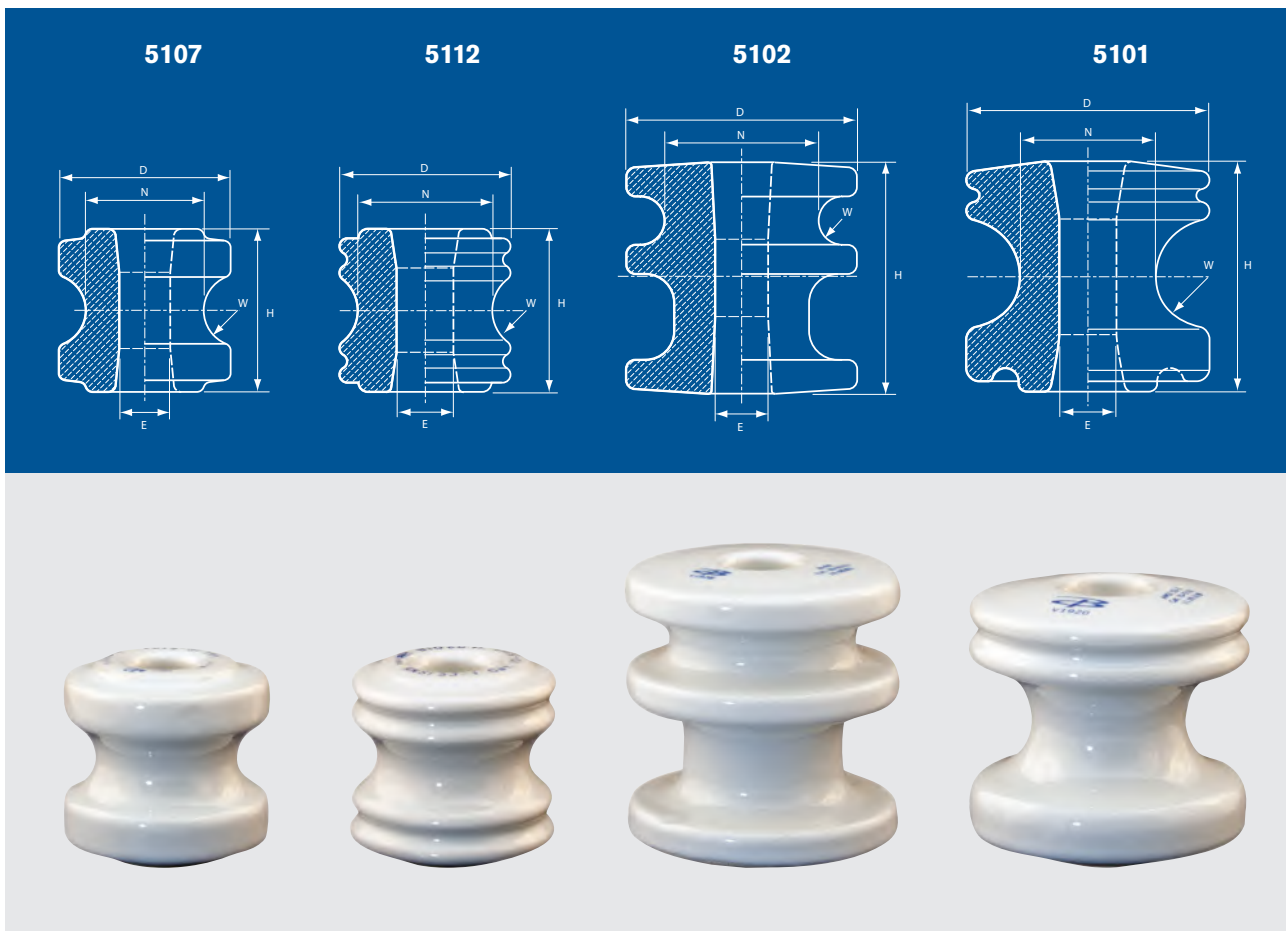
Standard Glaze: ANSI-70, Munsell 5 BG 7.0/0.4; B - Brown, W - White



# Spool Insulators

| Catalog Number                       | 5107      | 5112      | 5102      | 5101      |
|--------------------------------------|-----------|-----------|-----------|-----------|
| ANSI Technical Reference Number      |           | 53-1      |           | 53-2      |
| <b>Dimensions (inches)</b>           |           |           |           |           |
| H - Height ( $\pm 1/16''$ )          | 2.125"    | 2.125"    | 3"        | 3"        |
| D - Diameter ( $\pm 1/16''$ )        | 2.25"     | 2.25"     | 3"        | 3.11"     |
| N - Neck Diameter ( $\pm 1/8''$ )    | 1.5"      | 1.75"     | 2"        | 1.75"     |
| W - Wire Grooves Radius              | 0.4375"   | 0.4375"   | 0.3175"   | 0.709"    |
| E - Hole Diameter ( $+ 1/16'' - 0$ ) | 0.669"    | 0.709"    | 0.6875"   | 0.709"    |
| <b>Mechanical Values</b>             |           |           |           |           |
| Transverse Strength                  | 2000 lbs. | 2000 lbs. | 3000 lbs. | 3000 lbs. |
| <b>Electrical Values</b>             |           |           |           |           |
| Low Frequency Flashover Dry          | 18 kV     | 20 kV     | 20 kV     | 30 kV     |
| Low Frequency Flashover Wet          |           |           |           |           |
| Horizontal                           | 7 kV      | 8 kV      | 10 kV     | 12 kV     |
| Vertical                             | 9 kV      | 10 kV     | 12 kV     | 15 kV     |
| <b>Weight &amp; Packaging</b>        |           |           |           |           |
| Weight Per Carton                    | 48.6 lbs. | 48.6 lbs. | 48.4 lbs. | 30 lbs.   |
| Carton Quantity                      | 100       | 100       | 50        | 24        |

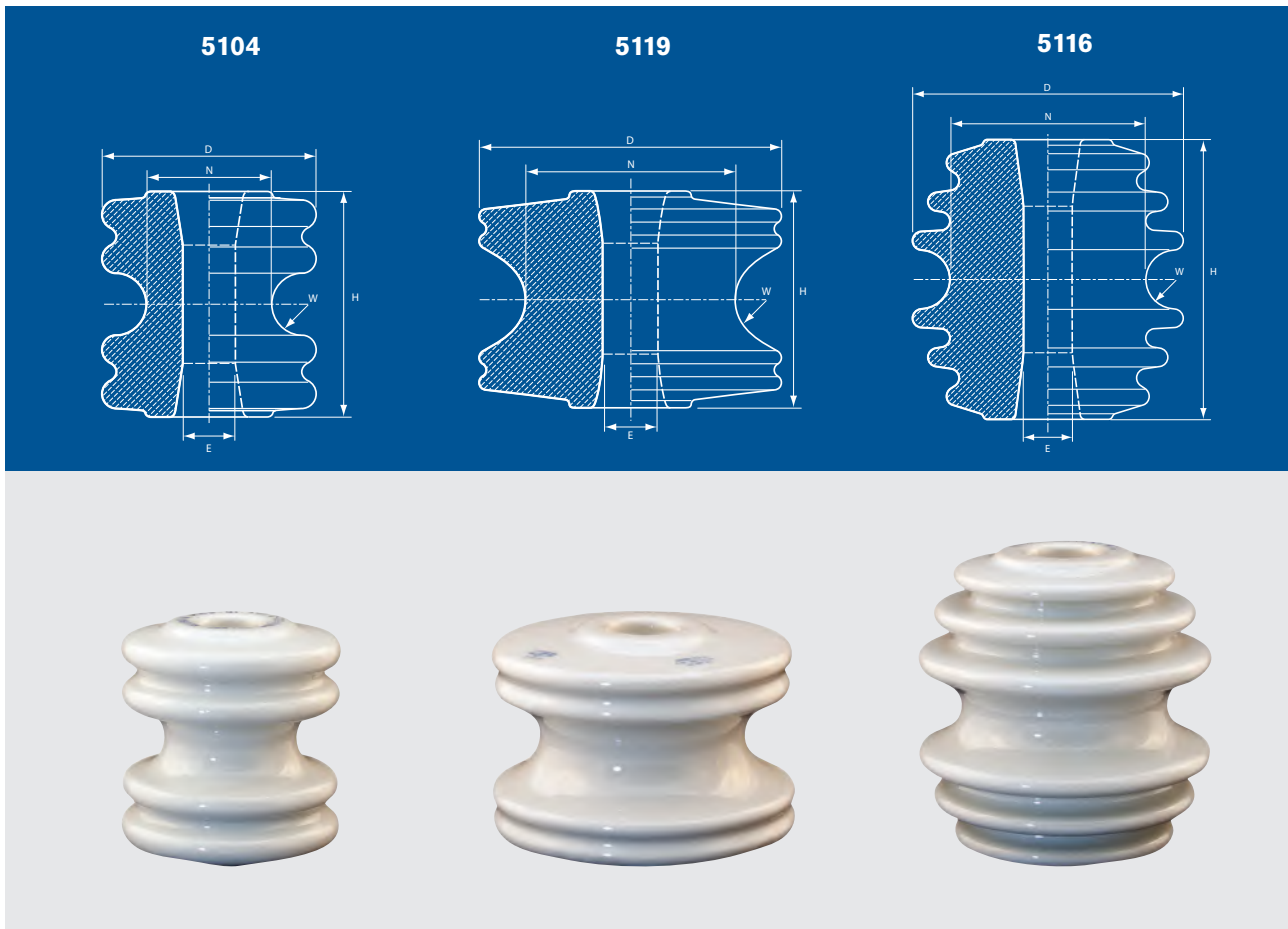
Standard Glaze: ANSI-70, Munsell 5 BG 7.0/0.4, B - Brown, W - White





| Catalog Number                       | 5104      | 5119      | 5116      |
|--------------------------------------|-----------|-----------|-----------|
| ANSI Technical Reference Number      | 53-3      | 53-4      | 53-5      |
| <b>Dimensions (inches)</b>           |           |           |           |
| H - Height ( $\pm 1/16''$ )          | 3.125"    | 3"        | 4.125"    |
| D - Diameter ( $\pm 1/16''$ )        | 3"        | 4.125"    | 4"        |
| N - Neck Diameter ( $\pm 1/8''$ )    | 1.75"     | 2.875"    | 2.875"    |
| W - Wire Grooves Radius              | 0.4375"   | 0.625"    | 0.4375"   |
| E - Hole Diameter ( $+ 1/16'' - 0$ ) | 0.709"    | 0.709"    | 0.709"    |
| <b>Mechanical Values</b>             |           |           |           |
| Transverse Strength                  | 4000 lbs. | 4500 lbs. | 6000 lbs. |
| <b>Electrical Values</b>             |           |           |           |
| Low Frequency Flashover Dry          | 25 kV     | 25 kV     | 35 kV     |
| Low Frequency Flashover Wet          |           |           |           |
| Horizontal                           | 12 kV     | 12 kV     | 18 kV     |
| Vertical                             | 15 kV     | 15 kV     | 25 kV     |
| <b>Weight &amp; Packaging</b>        |           |           |           |
| Weight Per Carton                    | 32 lbs.   | 44.5 lbs. | 48.4 lbs. |
| Carton Quantity                      | 24        | 18        | 18        |

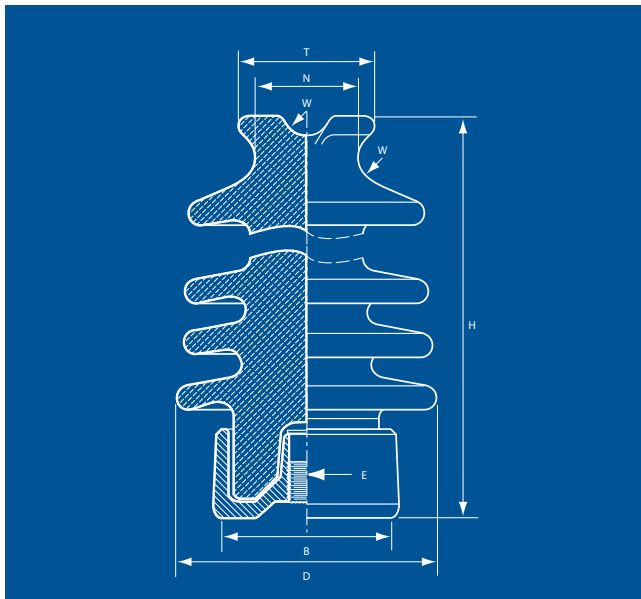
Standard Glaze: ANSI-70, Munsell 5 BG 7.0/0.4, B - Brown, W - White



# Tie Top Line Post Insulators

| Catalog Number   | 5015       | 5020       | 5025       | 5027       | 5035       | 5045       |
|--|------------|------------|------------|------------|------------|------------|
| ANSI Technical Reference Number                        |            |            | 57-1       |            | 57-2       | 57-3       |
| Neck Type  | C          | C          | C          | C          | C          | C          |
| <b>Dimensions (inches)</b>                             |            |            |            |            |            |            |
| Leakage Distance                                       | 7.5"       | 11"        | 14"        | 16"        | 22"        | 29"        |
| Dry Arcing Distance                                    | 5"         | 5.75"      | 6.5"       | 7.625"     | 9.5"       | 12.25"     |
| H - Height   | 7.75"      | 8.75"      | 9"         | 9.875"     | 12"        | 15"        |
| D - Diameter   | 4.75"      | 5.25"      | 5.5"       | 5.25"      | 6"         | 6.5"       |
| N - Neck Diameter ( $\pm 1/8"$ )                       | 2.25"      | 2.25"      | 2.25"      | 2.25"      | 2.25"      | 2.25"      |
| W - Wire Grooves Radius                                | 1"         | 1"         | 1"         | 1"         | 1"         | 1"         |
| T - Top Diameter Maximum                               | 3.375"     | 3.375"     | 3.375"     | 3.375"     | 3.375"     | 3.375"     |
| B - Base Diameter                                      | 3.5"       | 3.5"       | 4"         | 4"         | 4.5"       | 4.5"       |
| E - Bolt Thread  | 3/4" - 10* | 3/4" - 10* | 3/4" - 10* | 3/4" - 10* | 3/4" - 10* | 3/4" - 10* |
| <b>Mechanical Values</b>                               |            |            |            |            |            |            |
| Cantilever Strength                                    | 2000 lbs.  | 2000 lbs.  | 2800 lbs.  | 1500 lbs.  | 2800 lbs.  | 2800 lbs.  |
| Cantilever Proof Load                                  | 800 lbs.   | 800 lbs.   | 1120 lbs.  | 800 lbs.   | 1120 lbs.  | 1120 lbs.  |
| <b>Electrical Values</b>                               |            |            |            |            |            |            |
| Low Frequency Flashover Dry                            | 65 kV      | 80 kV      | 80 kV      | 95 kV      | 110 kV     | 125 kV     |
| Low Frequency Flashover Wet                            | 40 kV      | 55 kV      | 60 kV      | 65 kV      | 85 kV      | 100 kV     |
| Impulse Flashover Positive                             | 100 kV     | 110 kV     | 130 kV     | 140 kV     | 180 kV     | 210 kV     |
| Impulse Flashover Negative                             | 130 kV     | 140 kV     | 155 kV     | 190 kV     | 205 kV     | 260 kV     |
| <b>Radio Influence Low Frequency Test Voltage Data</b> |            |            |            |            |            |            |
| Test Voltage, Rms to Ground, kV                        | 10 kV      | 15 kV      | 15 kV      | 20 kV      | 22 kV      | 30 kV      |
| Maximum RIV at 1000 kHz - V                            | 50         | 50         | 100        | 50         | 100        | 200        |
| <b>Weight &amp; Packaging</b>                          |            |            |            |            |            |            |
| Weight Per Unit  | 7.4 lbs.   | 10.1 lbs.  | 11.0 lbs.  | 10.6 lbs.  | 16.1 lbs.  | 22.9 lbs.  |
| Weight Per Package                                     | 41.5 lbs.  | 44.8 lbs.  | 36.9 lbs.  | 36.3 lbs.  | 36 lbs.    | 49.8 lbs.  |
| Package Quantity                                       | 5          | 4          | 3          | 3          | 2          | 2          |

Standard Glaze: ANSI-70, Munsell 5 BG 7.0/0.4  
 \* 3/4" - 10; Oversize +0.015"; 7/8" Thread Depth



| Catalog Number                  | 5115 | 5120 | 5125 | 5127 | 5135 | 5145 |
|---------------------------------|------|------|------|------|------|------|
| ANSI Technical Reference Number |      |      | 57-1 |      | 57-2 | 57-3 |
| Neck Type                       | F    | F    | F    | F    | F    | F    |

**Dimensions (inches)**

|                                  |            |            |            |            |            |            |
|----------------------------------|------------|------------|------------|------------|------------|------------|
| Leakage Distance                 | 7.5"       | 11"        | 14"        | 16"        | 22"        | 29"        |
| Dry Arcing Distance              | 5"         | 5.75"      | 6.5"       | 7.6"       | 9.5"       | 12.25"     |
| H - Height                       | 7.75"      | 8.75"      | 9"         | 9.875"     | 12"        | 15"        |
| D - Diameter                     | 4.75"      | 5.25"      | 5.5"       | 5.25"      | 6"         | 6.5"       |
| N - Neck Diameter ( $\pm 1/8"$ ) | 2.875"     | 2.875"     | 2.875"     | 2.875"     | 2.875"     | 2.875"     |
| W - Wire Grooves Radius          | 1"         | 1"         | 1"         | 1"         | 1"         | 1"         |
| T - Top Diameter Maximum         | 3.9"       | 3.9"       | 3.9"       | 3.9"       | 3.9"       | 3.9"       |
| B - Base Diameter                | 3.5"       | 3.5"       | 4"         | 4"         | 4.5"       | 4.5"       |
| E - Bolt Thread                  | 3/4" - 10* | 3/4" - 10* | 3/4" - 10* | 3/4" - 10* | 3/4" - 10* | 3/4" - 10* |

**Mechanical Values**

|                       |           |           |           |           |           |           |
|-----------------------|-----------|-----------|-----------|-----------|-----------|-----------|
| Cantilever Strength   | 2000 lbs. | 2000 lbs. | 2800 lbs. | 2800 lbs. | 2800 lbs. | 2800 lbs. |
| Cantilever Proof Load | 800 lbs.  | 800 lbs.  | 1100 lbs. | 1120 lbs. | 1120 lbs. | 1120 lbs. |

**Electrical Values**

|                             |        |        |        |        |        |        |
|-----------------------------|--------|--------|--------|--------|--------|--------|
| Low Frequency Flashover Dry | 65 kV  | 80 kV  | 80 kV  | 95 kV  | 110 kV | 125 kV |
| Low Frequency Flashover Wet | 40 kV  | 55 kV  | 60 kV  | 65 kV  | 85 kV  | 100 kV |
| Impulse Flashover Positive  | 100 kV | 110 kV | 130 kV | 140 kV | 180 kV | 210 kV |
| Impulse Flashover Negative  | 130 kV | 140 kV | 155 kV | 190 kV | 205 kV | 260 kV |

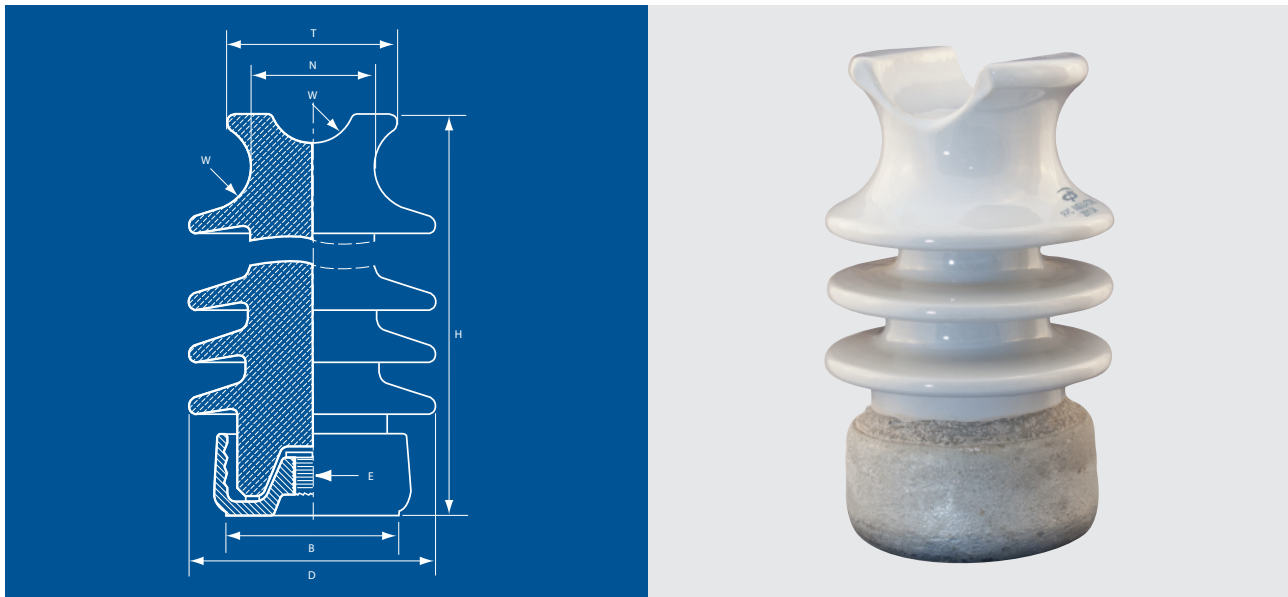
**Radio Influence Low Frequency Test Voltage Data**

|                                 |       |       |       |       |       |       |
|---------------------------------|-------|-------|-------|-------|-------|-------|
| Test Voltage, Rms to Ground, kV | 10 kV | 15 kV | 15 kV | 20 kV | 22 kV | 30 kV |
| Maximum RIV at 1000 kHz - V     | 50    | 50    | 100   | 50    | 100   | 200   |

**Weight & Packaging**

|                    |           |           |           |           |           |           |
|--------------------|-----------|-----------|-----------|-----------|-----------|-----------|
| Weight Per Unit    | 7.5 lbs.  | 10.3 lbs. | 11.2 lbs. | 10.8 lbs. | 16.3 lbs. | 23.1 lbs. |
| Weight Per Package | 42.0 lbs. | 45.6 lbs. | 37.5 lbs. | 36.9 lbs. | 36.6 lbs. | 46.3 lbs. |
| Package Quantity   | 5         | 4         | 3         | 3         | 2         | 2         |

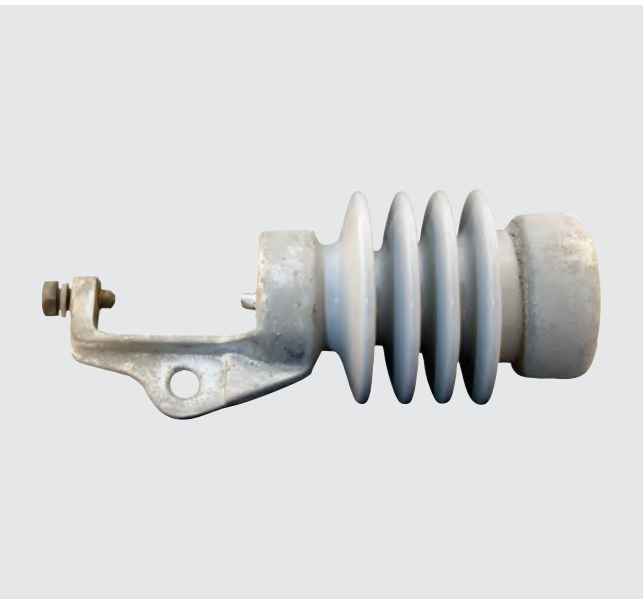
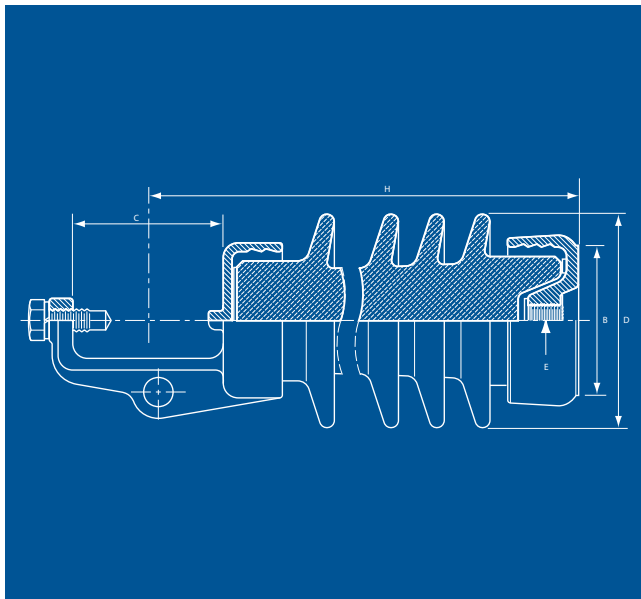
Standard Glaze: ANSI-70, Munsell 5 BG 7.0/0.4  
 \* 3/4" - 10; Oversize +0.015"; 7/8" Thread Depth



# Horizontal Clamp Type Line Posts

| Catalog Number   | 5220       | 5225       | 5235       | 5245       |
|--|------------|------------|------------|------------|
| ANSI Technical Reference Number                        |            | 57-21      | 57-22      | 57-23      |
| <b>Dimensions (inches)</b>                             |            |            |            |            |
| Leakage Distance                                       | 10"        | 14"        | 22"        | 29"        |
| Dry Arcing Distance                                    | 5"         | 6.5"       | 9.5"       | 12.25"     |
| H - Height To Middle of Clamp Assembly                 | 9.75"      | 11"        | 14"        | 16.5"      |
| D - Diameter   | 5.9"       | 6"         | 6.5"       | 6.5"       |
| C - Clamp Throat Width (+ .09375 -.00)                 | 4"         | 4"         | 4"         | 4"         |
| B - Base Diameter                                      | 4"         | 4"         | 4"         | 4.5"       |
| E - Bolt Thread  | 3/4" - 10* | 3/4" - 10* | 3/4" - 10* | 3/4" - 10* |
| <b>Mechanical Values</b>                               |            |            |            |            |
| Cantilever Strength                                    | 2800 lbs.  | 2800 lbs.  | 2800 lbs.  | 2800 lbs.  |
| Cantilever Proof Load                                  | 1120 lbs.  | 1120 lbs.  | 1120 lbs.  | 1120 lbs.  |
| <b>Electrical Values</b>                               |            |            |            |            |
| Low Frequency Flashover Dry                            | 70 kV      | 70 kV      | 100 kV     | 125 kV     |
| Low Frequency Flashover Wet                            | 50 kV      | 50 kV      | 70 kV      | 95 kV      |
| Impulse Flashover Positive                             | 100 kV     | 120 kV     | 160 kV     | 200 kV     |
| <b>Radio Influence Low Frequency Test Voltage Data</b> |            |            |            |            |
| Test Voltage, Rms to Ground, kV                        | 15 kV      | 15 kV      | 22 kV      | 30 kV      |
| Maximum RIV at 1000 kHz - V                            | 50         | 100        | 100        | 200        |
| <b>Weight &amp; Packaging</b>                          |            |            |            |            |
| Weight Per Unit  | 13.1 lbs.  | 14.6 lbs.  | 19.4 lbs.  | 26.7 lbs.  |
| Weight Per Package                                     | 42.3 lbs.  | 33.4 lbs.  | 41.8 lbs.  | 56.4 lbs.  |
| Package Quantity                                       | 3          | 2          | 2          | 2          |

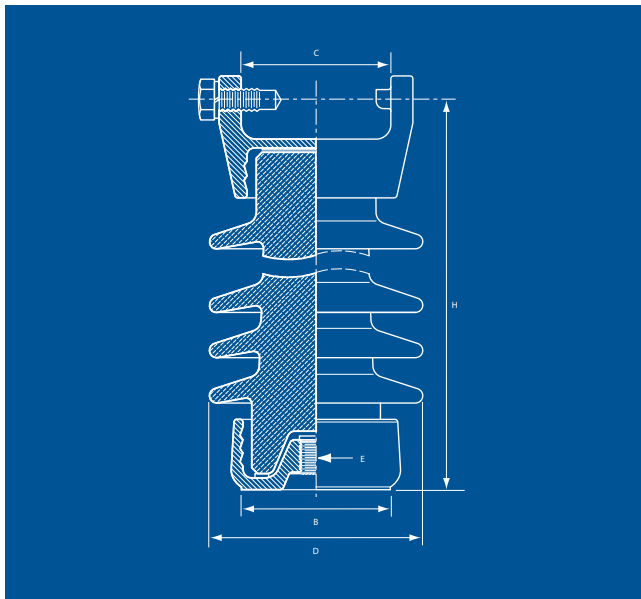
Standard Glaze: ANSI-70, Munsell 5 BG 7.0/0.4  
 \* 3/4" - 10; Oversize +0.015"; 7/8" Thread Depth



# Vertical Clamp Type Line Posts

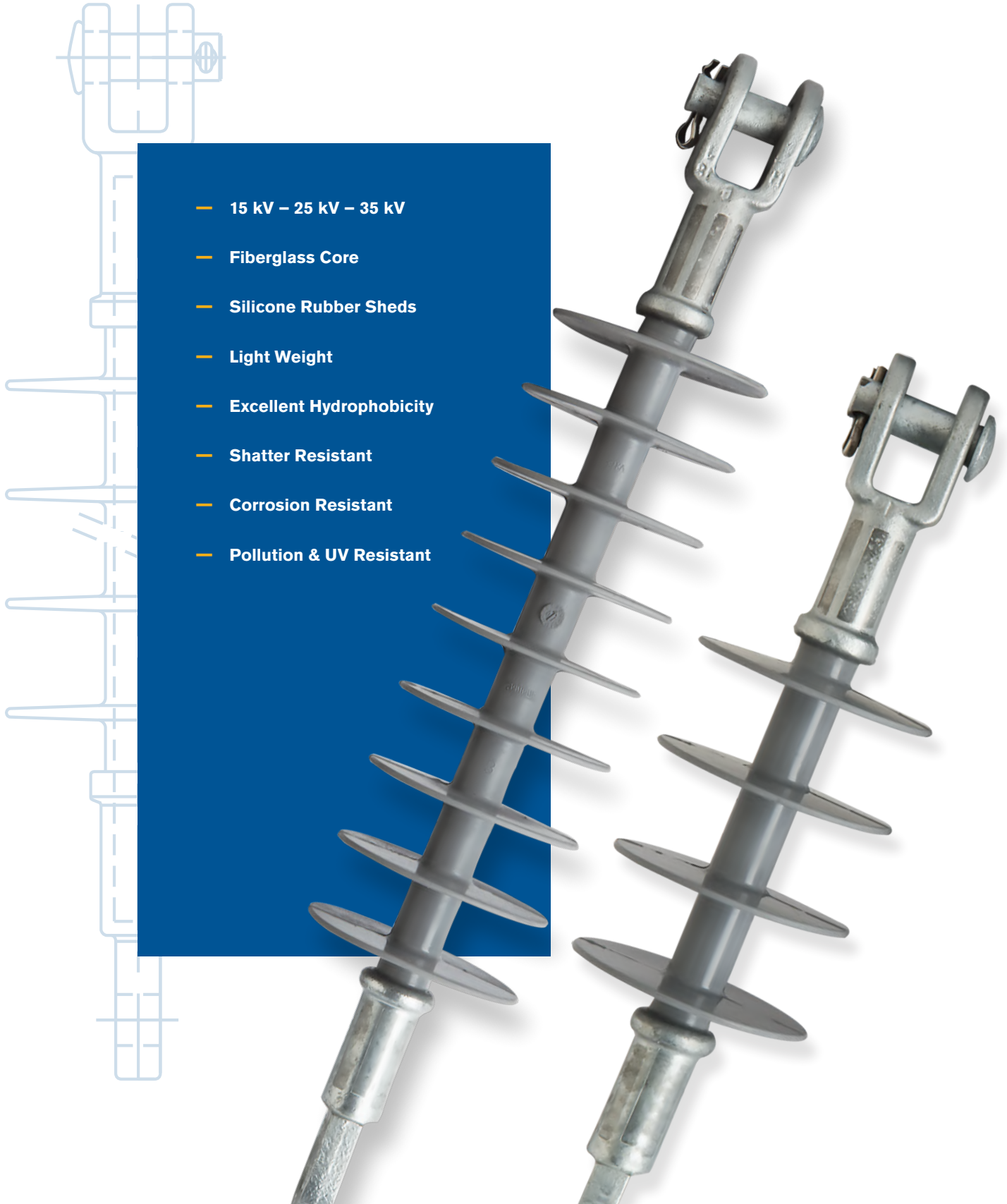
| Catalog Number   | 5320       | 5325       | 5335       | 5345       |
|--|------------|------------|------------|------------|
| ANSI Technical Reference Number                        |            | 57-11      | 57-12      | 57-13      |
| <b>Dimensions (inches)</b>                             |            |            |            |            |
| Leakage Distance                                       | 10"        | 14"        | 22"        | 29"        |
| Dry Arcing Distance                                    | 5"         | 6.5"       | 9.5"       | 12.25"     |
| H - Height To Middle of Clamp Assembly                 | 9.75"      | 11"        | 14"        | 16.5"      |
| D - Diameter   | 5.9"       | 6"         | 6.5"       | 6.5"       |
| C - Clamp Throat Width (+ .09375 -.00)                 | 4"         | 4"         | 4"         | 4"         |
| B - Base Diameter                                      | 4"         | 4"         | 4"         | 4.5"       |
| E - Bolt Thread  | 3/4" - 10* | 3/4" - 10* | 3/4" - 10* | 3/4" - 10* |
| <b>Mechanical Values</b>                               |            |            |            |            |
| Cantilever Strength                                    | 2800 lbs.  | 2800 lbs.  | 2800 lbs.  | 2800 lbs.  |
| Cantilever Proof Load                                  | 1120 lbs.  | 1120 lbs.  | 1120 lbs.  | 1120 lbs.  |
| <b>Electrical Values</b>                               |            |            |            |            |
| Low Frequency Flashover Dry                            | 70 kV      | 70 kV      | 100 kV     | 125 kV     |
| Low Frequency Flashover Wet                            | 50 kV      | 50 kV      | 70 kV      | 95 kV      |
| Impulse Flashover Positive                             | 100 kV     | 120 kV     | 160 kV     | 200 kV     |
| <b>Radio Influence Low Frequency Test Voltage Data</b> |            |            |            |            |
| Test Voltage, Rms to Ground, kV                        | 15 kV      | 15 kV      | 22 kV      | 30 kV      |
| Maximum RIV at 1000 kHz - V                            | 50         | 100        | 100        | 200        |
| <b>Weight &amp; Packaging</b>                          |            |            |            |            |
| Weight Per Unit  | 13.1 lbs.  | 14.6 lbs.  | 19.4 lbs.  | 26.7 lbs.  |
| Weight Per Package                                     | 42.3 lbs.  | 33.4 lbs.  | 41.8 lbs.  | 56.4 lbs.  |
| Package Quantity                                       | 3          | 2          | 2          | 2          |

Standard Glaze: ANSI-70, Munsell 5 BG 7.0/0.4  
 \* 3/4" - 10; Oversize +0.015"; 7/8" Thread Depth



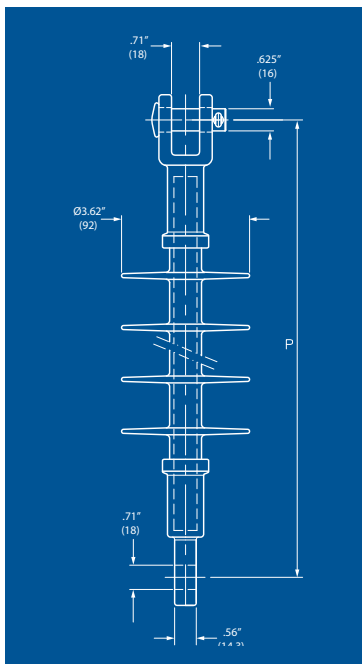
# Polymer Deadend Insulators

- 15 kV – 25 kV – 35 kV
- Fiberglass Core
- Silicone Rubber Sheds
- Light Weight
- Excellent Hydrophobicity
- Shatter Resistant
- Corrosion Resistant
- Pollution & UV Resistant

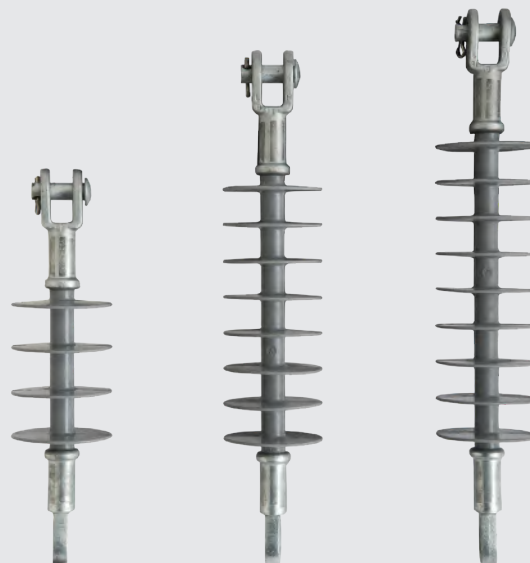


| Catalog Number   | PDEI-15      | PDEI-25      | PDEI-35      |
|--|--------------|--------------|--------------|
| kV Rating  | 15 kV        | 25 kV        | 35 kV        |
| <b>Dimensions (inches)</b>                             |              |              |              |
| Leakage Distance                                       | 16.0" (400)  | 30.5" (775)  | 34.4" (875)  |
| Arc Distance   | 7.9" (200)   | 12.2" (310)  | 13.4" (340)  |
| P - Connection Length, Between Centers                 | 12.5" (320)  | 17.0" (430)  | 18.3" (465)  |
| D - Shed Diameter                                      | 3.62" (92)   | 3.62" (92)   | 3.62" (92)   |
| Minimum Housing Thickness                              | 0.118" (3)   | 0.118" (3)   | 0.118" (3)   |
| Number of Sheds  | 4            | 8            | 9            |
| <b>Mechanical Values</b>                               |              |              |              |
| Mechanical Failing Load                                | 15000 lbs.   | 15000 lbs.   | 15000 lbs.   |
| <b>Electrical Values</b>                               |              |              |              |
| Power Frequency Flashover Dry                          | 90 kV        | 130 kV       | 145 kV       |
| Power Frequency Flashover Wet (horizontal)             | 65 kV        | 100 kV       | 130 kV       |
| CIFO (+)   | 140 kV       | 190 kV       | 250 kV       |
| RIV (Test)   | 15 kV        | 20 kV        | 30 kV        |
| RIV (Max)  | < 10 $\mu$ V | < 10 $\mu$ V | < 10 $\mu$ V |
| <b>Radio Influence Low Frequency Test Voltage Data</b> |              |              |              |
| Test Voltage, Rms to Ground, KV                        | 10 kV        | 15 kV        | 22 kV        |
| Maximum RIV at 1000 kHz - V                            | 50 $\mu$ V   | 100 $\mu$ V  | 100 $\mu$ V  |
| <b>Weight &amp; Packaging</b>                          |              |              |              |
| Weight Per Carton                                      | 34.8 lbs.    | 41 lbs.      | 43.6 lbs.    |
| Carton Quantity  | 15           | 15           | 15           |
| Pallet Quantity  | 360          | 240          | 240          |

SML = 15,000 lbs. (70 kN)  
 RTL = 7,500 lbs. (35 kN)  
 Silicone Rubber  
 Corrosion resistant boron free fiberglass core, 16mm diameter  
 ANSI 52-4 Clevis and Tongue End Fittings



Type PDEI 15    Type PDEI 25    Type PDEI 35



PPC Insulators has been a leading manufacturer of porcelain and hybrid insulators for over 130 years. Our extensive knowledge, expertise, and production technology enables us to produce the best insulator designs catering up to 1200 kV AC and 1100 kV DC system voltages. We supply over 40,000 standard insulators from our stock to meet the demands of our valued customers.

**PPC USA Inc.**

363 North Sam Houston Parkway East, Suite # 700  
Houston, Texas, 77060

United States

+1 281 257 8222

[usa@ppcinsulators.com](mailto:usa@ppcinsulators.com)

**[www.ppcinsulators.com](http://www.ppcinsulators.com)**